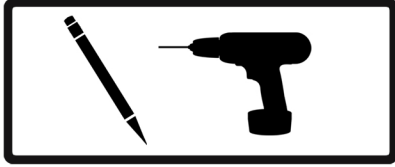
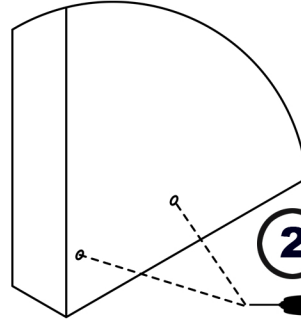
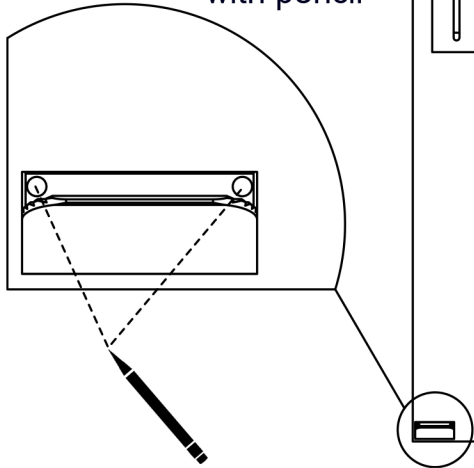


StepHandle™

Installation Guide



1 MARK HOLES
with pencil



2 DRILL HOLES
use 5/16" drill bit



3 INSTALL HARDWARE
and ensure StepHandle is level

